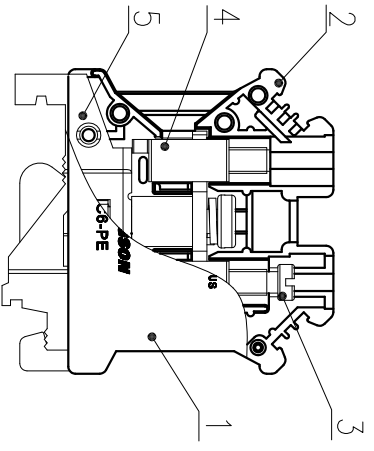
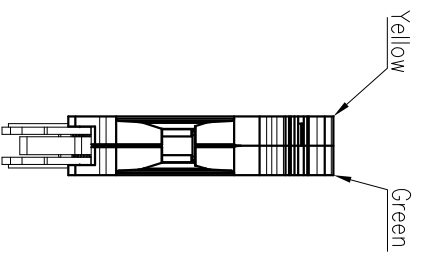
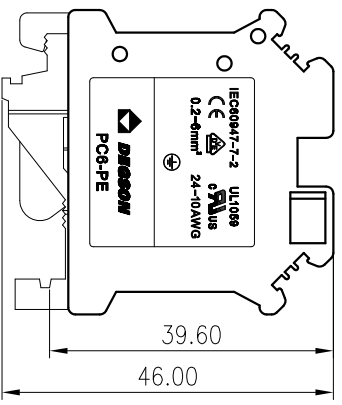
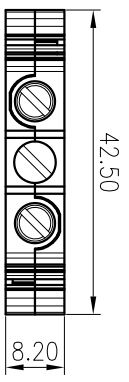


公差 (mm)		公差 (mm)		公差 (mm)		公差 (mm)		公差 (mm)		公差 (mm)		公差 (mm)		公差 (mm)		公差 (mm)	
0	>3	>6	>10	>18	>30	>50	>80	>120	>180	>250	>315	>400	>500	>630	>800	>1000	>1250
±0.12	±0.18	±0.22	±0.26	±0.31	±0.37	±0.57	±0.80	±0.93	±1.05	±1.15	±1.60	±2.20	±2.50	±3.15	±4.00	±5.00	±6.30



ITEM	NAME OF PART	MATERIAL	NOTES	REV	ECN	DESCRIPTION	DRT	DATE
5	Ground contact							
4	Cage	Copper Alloy	M4/Ni Plated					
3	Screw	Copper Alloy	M4/Ni Plated					
2	Housing2	PA66	UL94V-0					
1	Housing1	PA66	UL94V-0					

MATERIAL: SURFACE: PANTONE / RAL

MAT NO.: /
 STATUS: /
 APPD: Li GL 2020.06.04
 CHKD: Mao J 2020.06.04
 DRT: LIUM 2005.11.16

NAME: **DEGSON** 宁波高松电子有限公司
 NINGBO DEGSON ELECTRICAL CO., LTD

DRAWING NO.: PC6-PE-C01
 SCALE: X:X SHEET 1/1